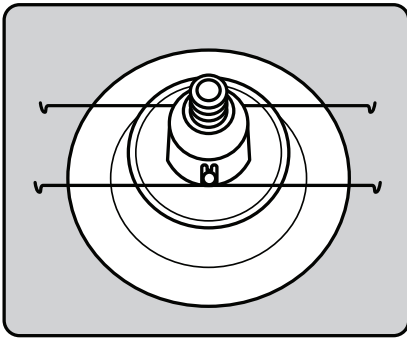




AmericanBright™
Bright ideas. Brilliant solutions.

EASY TO INSTALL

Step 1 - Turn off the power at the source and remove existing trim and bulb to reveal the existing socket.



Step 2 - Attach the fixture to recessed housing socket with the flip clip. Then screw the fixture into the socket by turning clockwise until trim ring is flush with ceiling.

